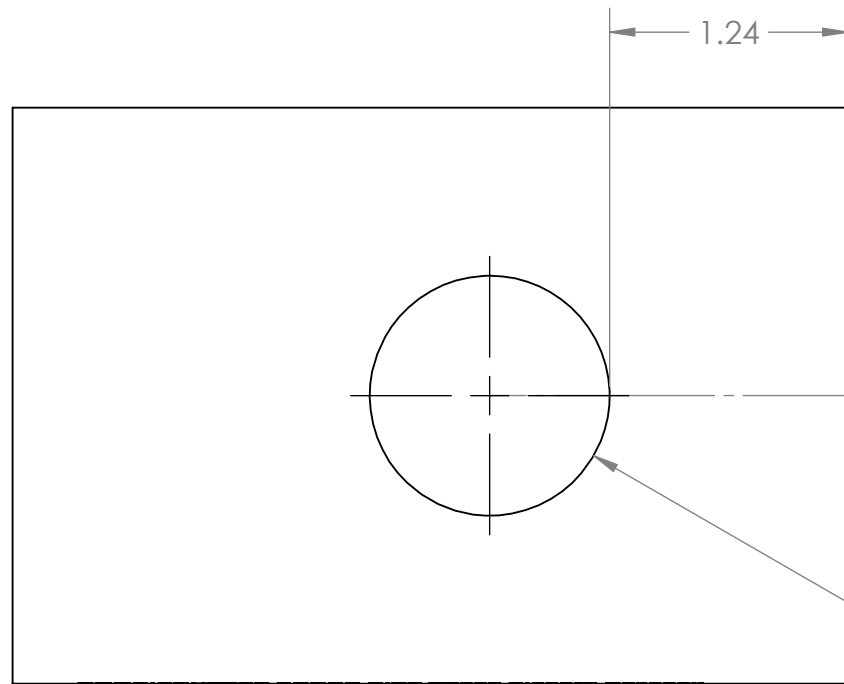


4

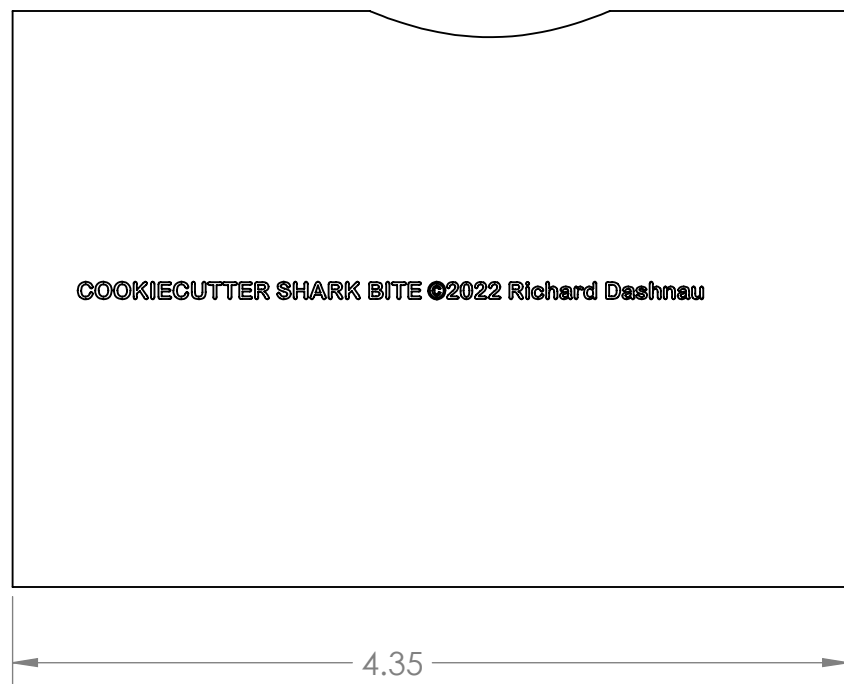
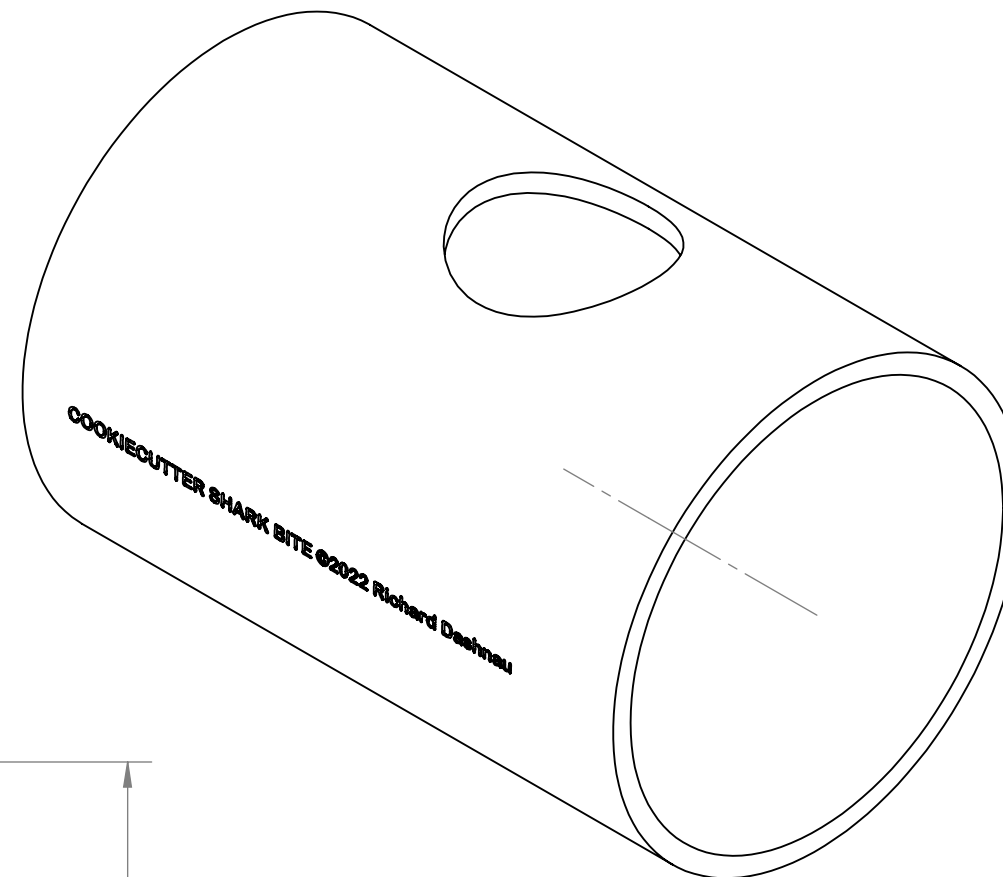
3

2

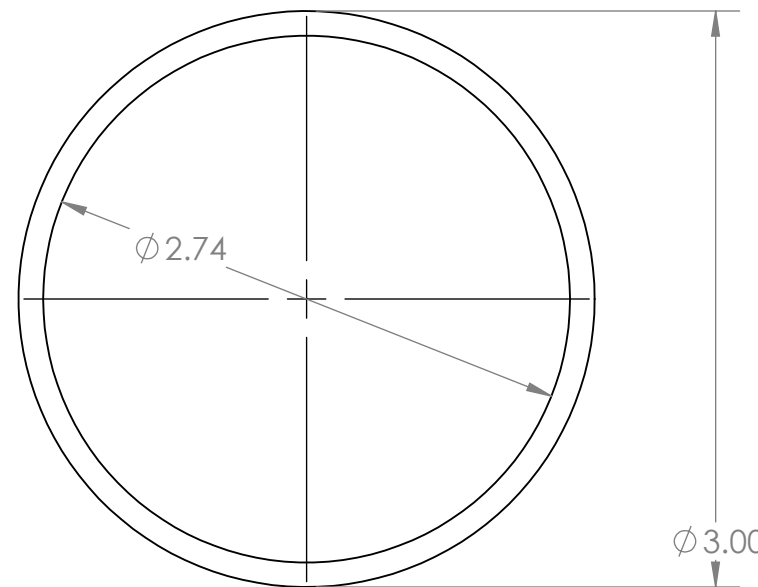
1



Ø 1.25



4.35



Ø 2.74

Ø 3.00

PROPRIETARY AND CONFIDENTIAL
 THE INFORMATION CONTAINED IN THIS DRAWING IS THE SOLE PROPERTY OF <INSERT COMPANY NAME HERE>. ANY REPRODUCTION IN PART OR AS A WHOLE WITHOUT THE WRITTEN PERMISSION OF <INSERT COMPANY NAME HERE> IS PROHIBITED.

		UNLESS OTHERWISE SPECIFIED:	NAME	DATE		
		DIMENSIONS ARE IN INCHES	DRAWN	RMD	6/30/33	TITLE: Cookiecutter shark bite in urethane jacket material
		TOLERANCES: FRACTIONAL ± ANGULAR: MACH ± BEND ± TWO PLACE DECIMAL ± THREE PLACE DECIMAL ±	CHECKED			
		INTERPRET GEOMETRIC TOLERANCING PER:	ENG APPR.			
		MATERIAL	MFG APPR.			
NEXT ASSY	USED ON	FINISH	Q.A.	COMMENTS: Drawn by R. Dashnau with dimensions taken from shark bite in jacket material. Sample is from 1991		SIZE B
APPLICATION		DO NOT SCALE DRAWING	DWG. NO. cookiebite_05b		REV	
			SCALE: 1:1	WEIGHT:	SHEET 1 OF 1	

4

3

2

1